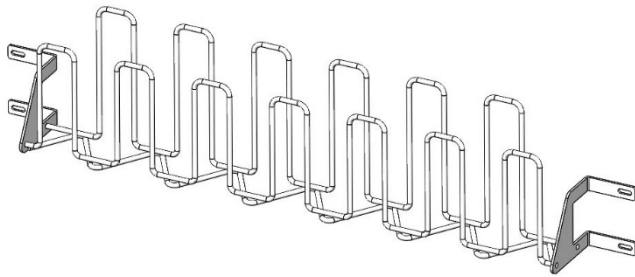


## Accessories for drying cabinets

### DC6-4 & DC6-8

A drying cabinet is the perfect complement to our existing range of dryers, solving customers pain points of drying bulky or sensitive items in a fast and easy way.

Complement your drying cabinets with below accessories to customize according to your needs and make the drying process more efficient.

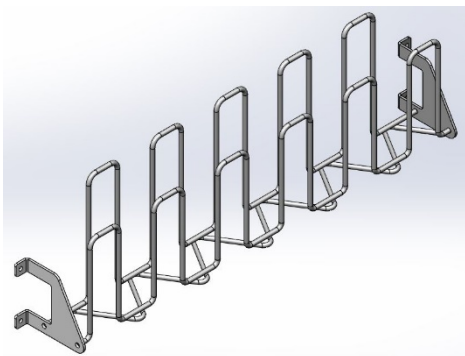


Hanger gloves suitable for DC6-4

Product number: 988704085

Part number: 432731696

Dimension: L574 x W60 x H127 mm

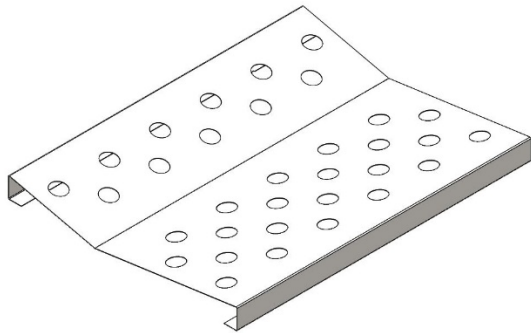


Hanger gloves suitable for DC6-8

Product number: 988704086

Part number: 432731697

Dimension: L439 x W60 x H127 mm

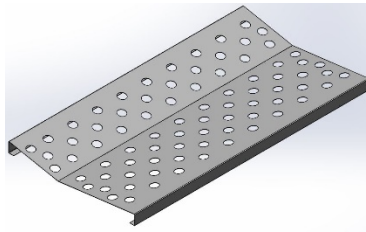
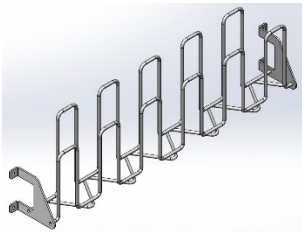


Shoe rack suitable for DC6-4

Product number: 988704087

Part number: 432731698

Dimension: L580 x W451 x H40 mm



Daycare kit, consist of hanger for gloves and shoe rack suitable for DC6-8

Product number: 988704088

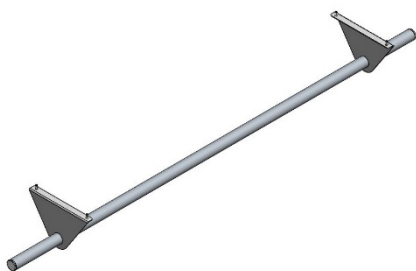
Part number: 432731699

Dimensions Hanger gloves:

L439 x W60 x H127 mm

Dimensions shoe rack:

L950 x W512 x H41 mm



Hang bar which is perfect for long & bulky items. Suitable for DC6-8

Product number: 988704089

Part number: 432731700

Dimension: L1030 mm, Ø 22 mm